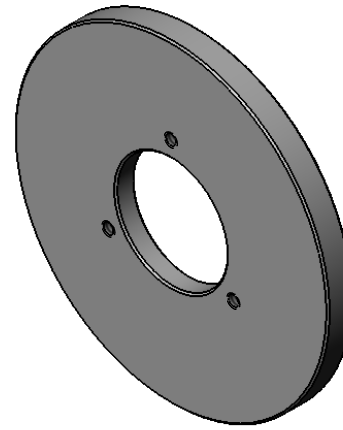


PART NO.

FRL0103754625

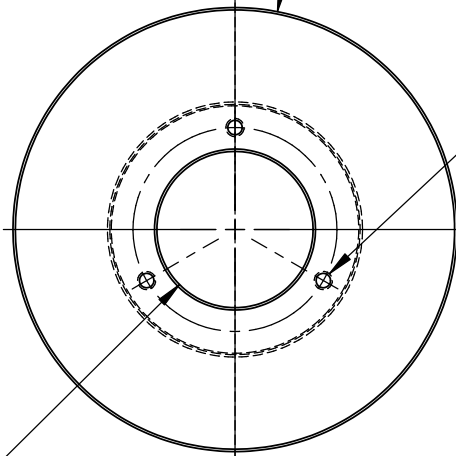
PROPRIETARY AND CONFIDENTIAL

THE INFORMATION CONTAINED IN THIS DRAWING IS THE SOLE PROPERTY OF STAFFORD MFG. ANY REPRODUCTION IN PART OR AS A WHOLE WITHOUT THE WRITTEN PERMISSION OF STAFFORD MFG. IS PROHIBITED.



OUTSIDE DIAMETER
4.625

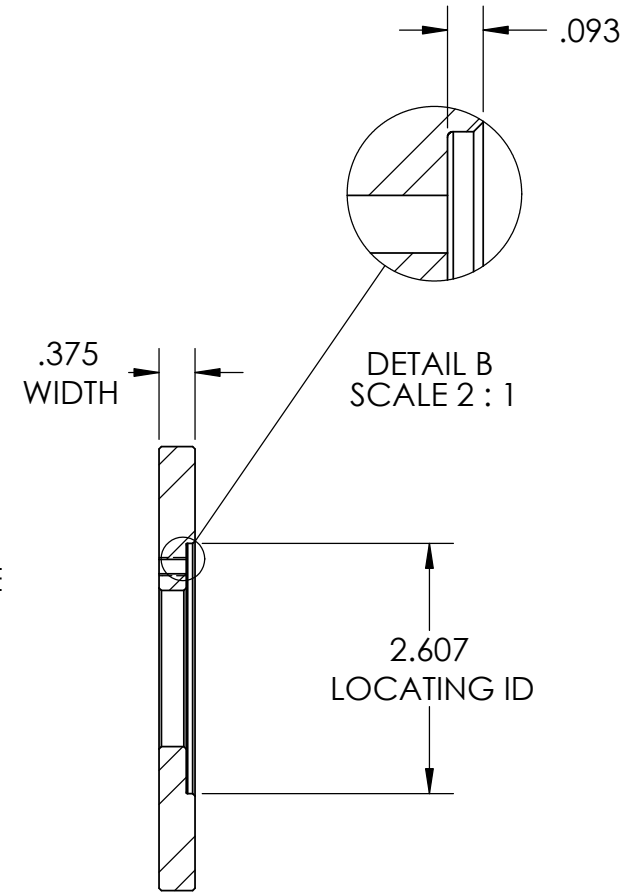
A



10-24
(3) PLC'S. ON A 2.125 CIRCLE

1.627
ID

A



SECTION A-A

VISIT US ONLINE AT
WWW.STAFFORDMFG.COM

COUNTRY OF ORIGIN - USA
ALL DIMENSIONS ARE IN ENGLISH



DESCRIPTION:

1.627" Flange Adapter Ring
Steel, for 5/8 bore; 4-5/8" OD

SERIES Solution	STYLE	MATERIAL 1018 Steel	FINISH Black Oxide	APPROX. WEIGHT	PART NO. FRL0103754625
--------------------	-------	------------------------	-----------------------	----------------	---------------------------