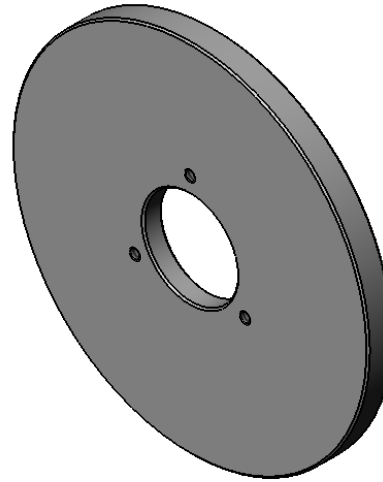


PART NO.

FRA0083755250

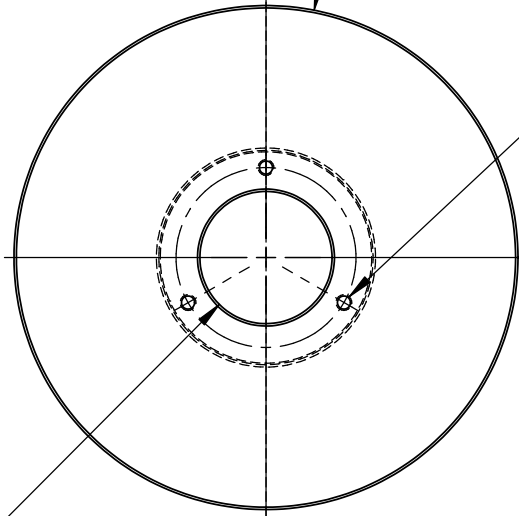
PROPRIETARY AND CONFIDENTIAL

THE INFORMATION CONTAINED IN THIS DRAWING IS THE SOLE PROPERTY OF STAFFORD MFG. ANY REPRODUCTION IN PART OR AS A WHOLE WITHOUT THE WRITTEN PERMISSION OF STAFFORD MFG. IS PROHIBITED.



OUTSIDE DIAMETER
5.250

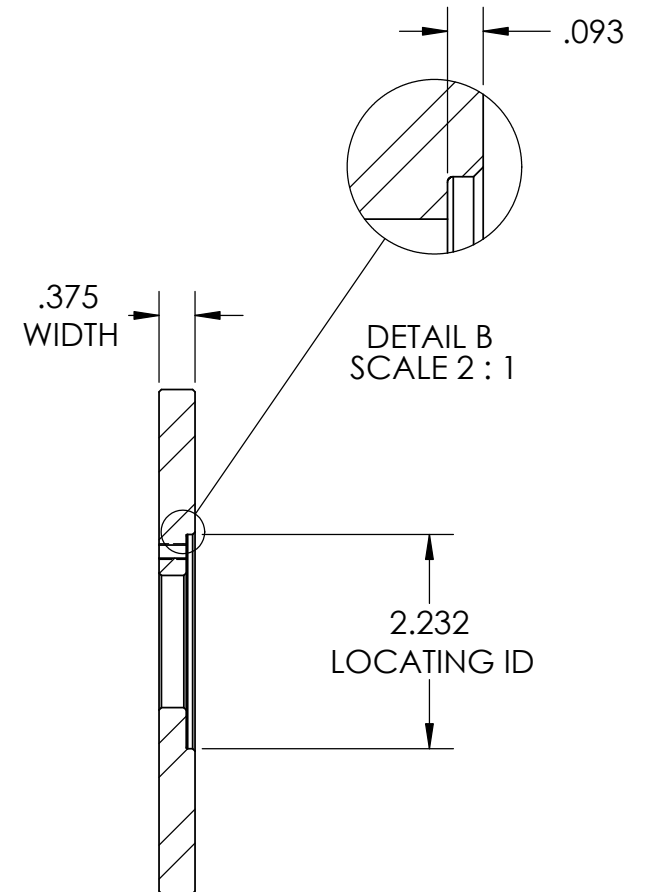
A



8-32
(3) PLC'S. ON A 1.875 CIRCLE

1.377
ID

A



SECTION A-A

VISIT US ONLINE AT
WWW.STAFFORDMFG.COM

COUNTRY OF ORIGIN - USA
ALL DIMENSIONS ARE IN ENGLISH



DESCRIPTION:

1.377" Flange Adapter Ring
Alum, for 1/2 bore; 5-1/4" OD

SERIES Solution	STYLE	MATERIAL 2011-T3 or 6061-T651 Aluminum	FINISH Bead Blast	APPROX. WEIGHT	PART NO. FRA0083755250
--------------------	-------	---	----------------------	----------------	---------------------------